

EBS
Ink-Jet Systeme

HANDJET
EBS-250

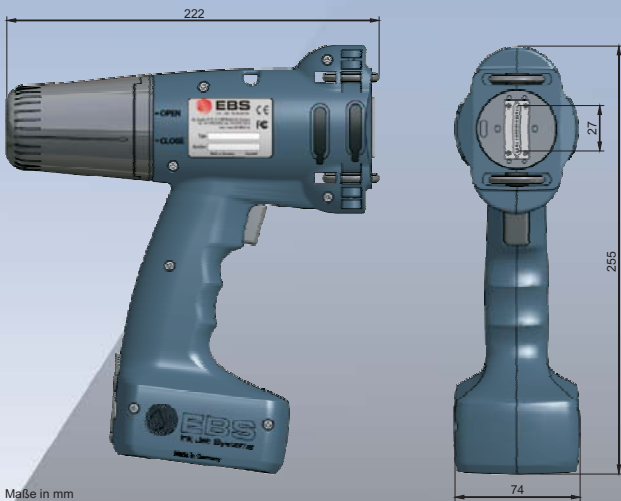
Technical Parameters

Number of nozzles	16
Nozzle diameter	150 µm
Print height	27 mm
Height of objects to be printed	from 35 mm
Working position in 3D space	any
Line printing	Enables printing of up to 10 texts in successive lines.
max. number of characters per text	1500 (including control characters for the printer's built-in fonts)
Number of texts and accompanying print-param.	from 1 to 10 (Texts are loaded into the printer via PC)
Printing of graphics (Logo, special Graphic characters)	Editing and printing of graphical texts and symbols with the use of Windows® (True Type) fonts as standard.
Special characters	National (diacritical) characters, graphic characters for information, warnings, etc.
Variable fields	Date and time in any format, expiry date, up- and down counters, universal counter (pieces, pallets, metres etc.)
Programming	<ul style="list-style-type: none"> Wireless (radio) with range of up to 50m), Text- and parameter processing Software, Windows® 98SE / ME / NT / 2000 / XP Network of up to 30 printers, radio-controlled via PC
Timing	Either synchronised with rotational speed of the lower stabilisor or at intervals by an internal generator

Power supply	Battery powered by 3 Li-Ion cells.
Approximate operating time with the battery fully charged	50 hours of non-stop printing at a temperature of 20°C, automatic low-battery indication.
Recharging	Automatically via an external 24V/1A DC power pack. Charging time - less than 150 minutes
Ink	Available in easily removable cartridges. Alcohol-, MEK- or water-based, in various colours.
Cartridge capacity	110 ml for printing about 100.000 characters with 7x5 dot matrix or about 17.000 characters with 16x10 dot matrix.
Working pressure	0,3 bar to 0,4 bar
Operating temp. range	+0,5°C to +40°C
Storage temperature range	<ul style="list-style-type: none"> +1°C to +45°C, with water-based ink -10°C to +45°C, with MEK or ethanol-based ink
Humidity	Up to 95% without steam condensation - the printer can be operated when it rains (on a dry surface).
Weight	980g +/- 10 g - printer with battery and full ink cartridge, without power pack and cable

EBS GmbH reserves the right to change these specifications without prior notice.

Dimensions: side and front views



Maße in mm
Dimensions in mm

The printer in working position

Patents: WO 99/48694
EP 1219439
EP 12194323

Protection of Designs

Accessories

Standard:

- Case to hold all accessories
- HANDJET EBS 250 Printer
- Ink Cartridge
- Power pack 24V/1A with cable
- CD with utility software and user-support files

optional

- RFI-Module for wireless data transfer (USB)
- Cable for RFI-Module to PC
- Stabilisor rolls for exact printing on curved surfaces



Ink-Jet Systeme GmbH
Alte Ziegelei 19-25
D-51588 Nümbrecht

Tel: +49 (0) 22 93 / 93 9-0
Fax: +49 (0) 22 93 / 93 9-3
MAIL@EBS-INKJET.DE